



MOTOR MOVER

MATERIAL HANDLING

# MOTORMOVER MAXI



MOTOR MOVER

MATERIAL HANDLING



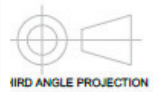
ITEM DESCRIPTION	SPECIFICATION
<b>DIMENSIONS</b>	615mm(L) x 720mm(W) x 610mm(H) TOTAL HEIGHT 1300mm
<b>WEIGHT</b> (Not including coupling)	200kgs
<b>MATERIAL</b>	Mild Steel OR Stainless Steel
<b>MOTOR DRIVEWHEEL</b>	RED Polyurethane tyre Wheel 250mm x 80mm
<b>MOTOR</b>	DC motor 1200W 24V 2500rpm series wound, Drive unit
<b>MOTOR CAPACITY</b> PUSH/PULL	10,000kgs (10 TONNES)
<b>BATTERY</b>	24V (2 x 12V) LEAD ACID BATTERY NOMINAL CAPACITY (70Ah)
<b>CHARGER</b>	Charger 24 volt 8 amp
<b>WORKING TIME OF BATTERY</b>	8-10 HOURS
<b>WEIGHT TRANSFER MECHANISM</b>	MANUAL OR HYDRAULIC



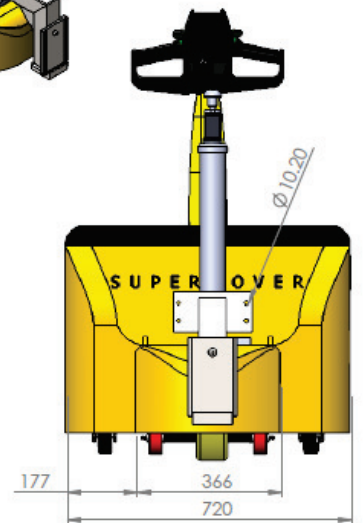
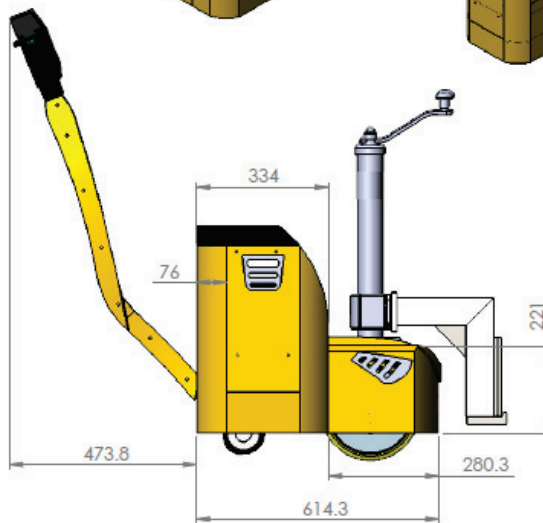
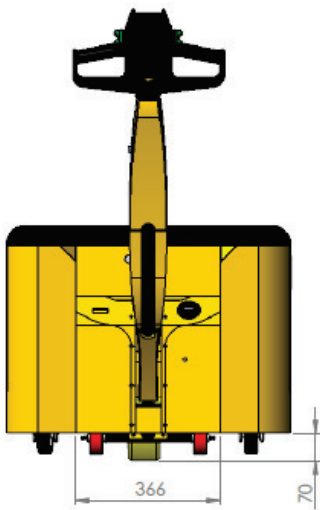
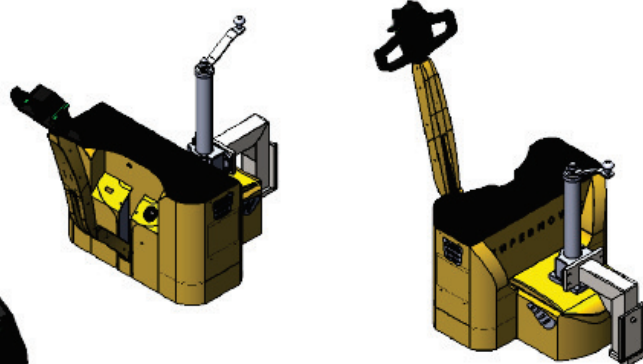
MOTOR MOVER

MATERIAL HANDLING

# MOTORMOVER MAXI



THIRD ANGLE PROJECTION



MOTOR MOVER