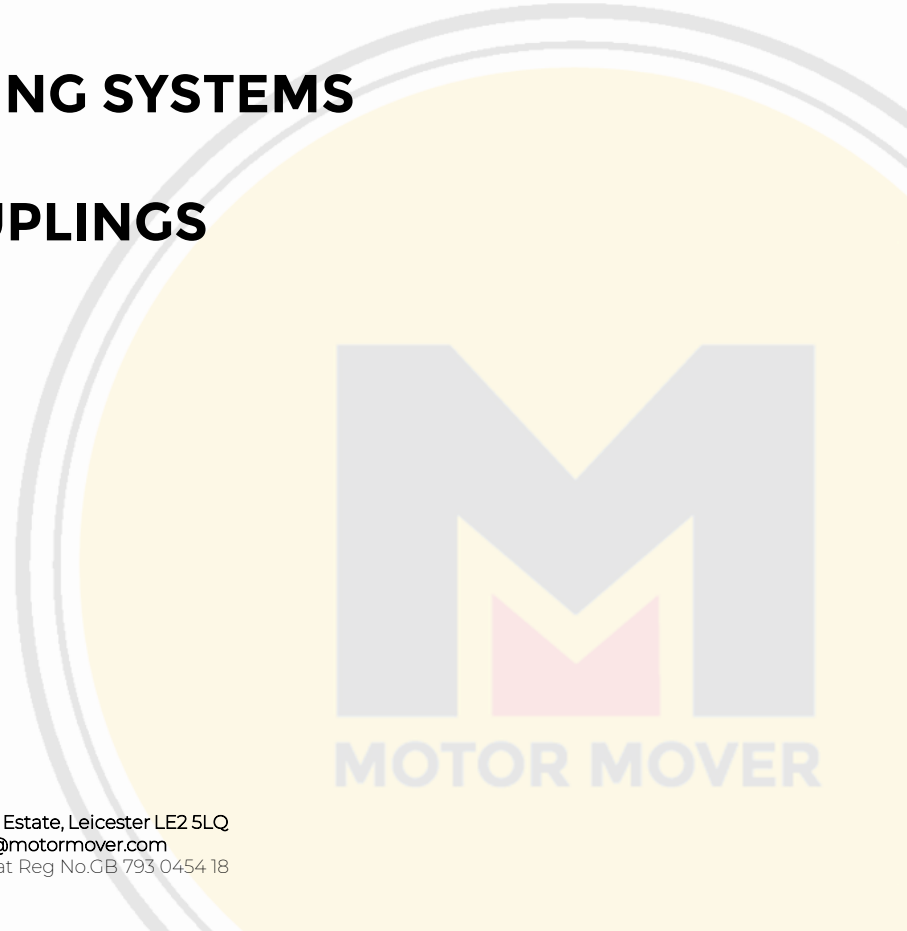




MOTOR MOVER

HYDRAULIC COUPLING SYSTEMS & BESPOKE COUPLINGS



19 Mandervell Road, Oadby Industrial Estate, Leicester LE2 5LQ
Tel: 0116 232 8799 Email: sales@motormover.com
Registered in England No.4389619 Vat Reg No.GB 793 0454 18



MATERIAL HANDLING

MOTORMOVER COUPLING

HYDRAULIC COUPLING SYSTEM



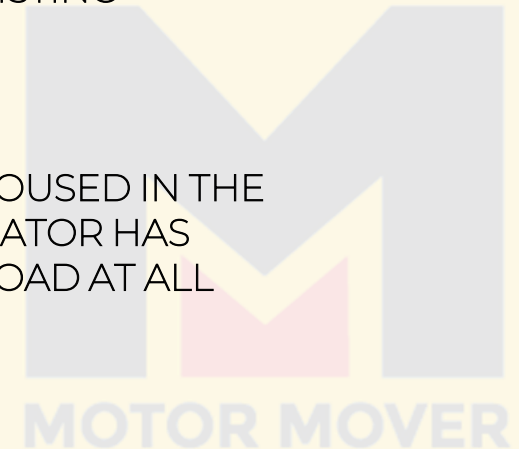
THE HYDRAULIC COUPLING SYSTEM
MAKES LIGHT WORK OF HEAVY LOADS.



MANUFACTURED AND BUILT IN HOUSE.
THE HYDRAULIC SYSTEM HAS BEEN
DESIGNED TO WORK WITH NEW
MACHINES AS WELL AS A RETRO FIT
UPGRADE OPTIONS FOR EXISTING
CUSTOMERS



SIMPLE TO USE BUTTONS HOUSED IN THE
TILLER, ENSURES THE OPERATOR HAS
FULL CONTROL OF THEIR LOAD AT ALL
TIMES.

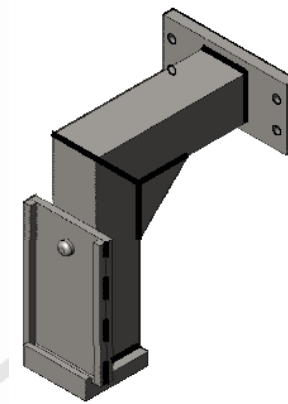
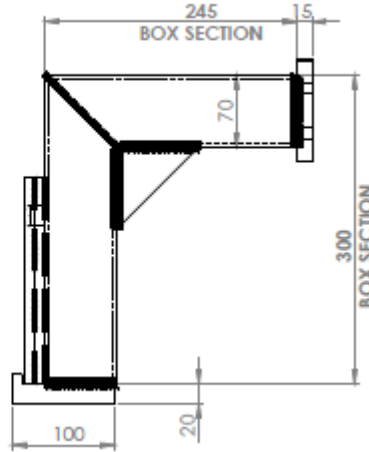
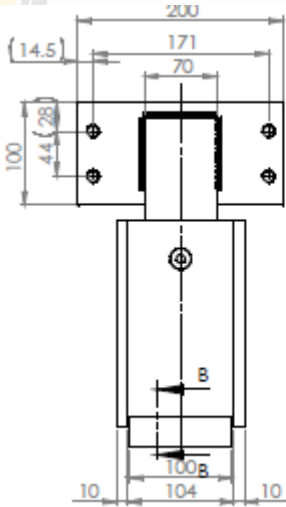




MOTOR MOVER
MATERIAL HANDLING

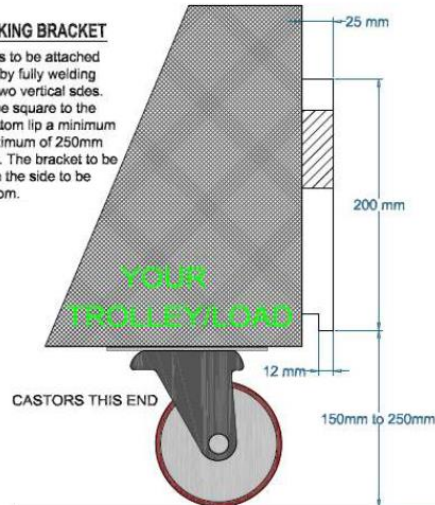
MOTORMOVER COUPLING

STANDARD MAXI COUPLING DETAILS



HEAVY DUTY JACKING BRACKET

This coupling needs to be attached to the load / trolley by fully welding round the top and two vertical sides. The bracket must be square to the ground with the bottom lip a minimum of 150mm and maximum of 250mm up from the ground. The bracket to be centrally located on the side to be pulled or pushed from.

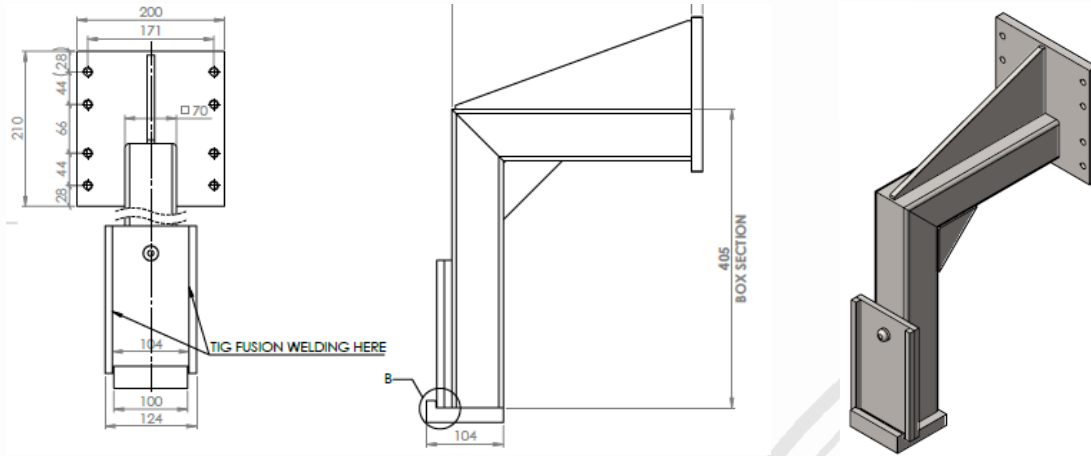




MOTOR MOVER
MATERIAL HANDLING

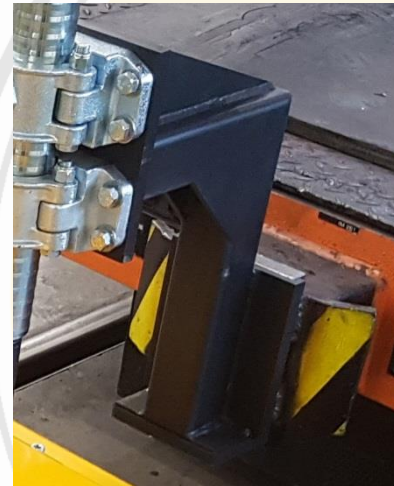
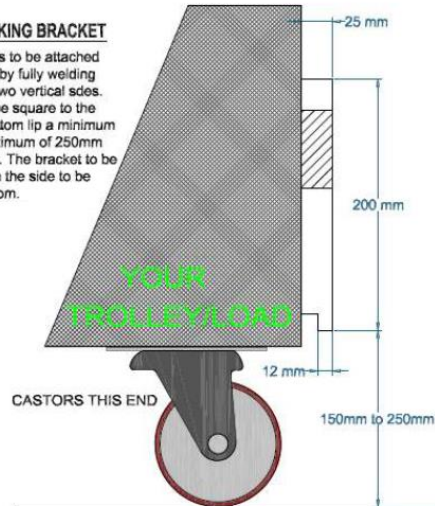
MOTORMOVER COUPLING

STANDARD MAJOR COUPLING DETAILS



HEAVY DUTY JACKING BRACKET

This coupling needs to be attached to the load / trolley by fully welding round the top and two vertical sides. The bracket must be square to the ground with the bottom lip a minimum of 150mm and maximum of 250mm up from the ground. The bracket to be centrally located on the side to be pulled or pushed from.



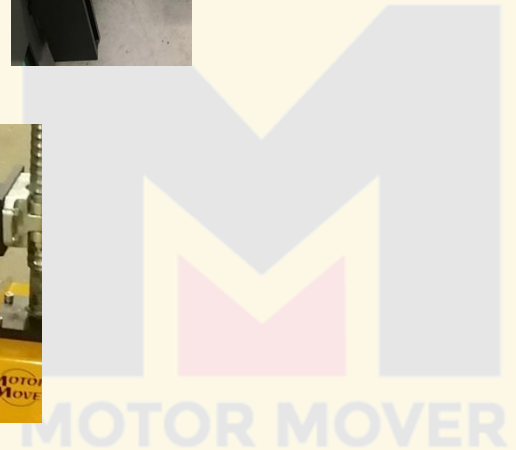
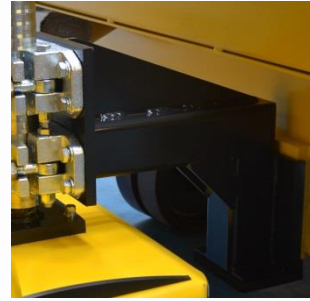


MOTOR MOVER

MATERIAL HANDLING

MOTORMOVER COUPLING

BESPOKE COUPLINGS
(CONTACT US FOR MORE DETAILS)



19 Mandervell Road, Oadby Industrial Estate, Leicester LE2 5LQ
Tel: 0116 232 8799 Email: sales@motormover.com
Registered in England No.4389619 Vat Reg No.GB 793 0454 18