



MOTOR MOVER

MATERIAL HANDLING

# MOTORMOVER TOW MAJOR

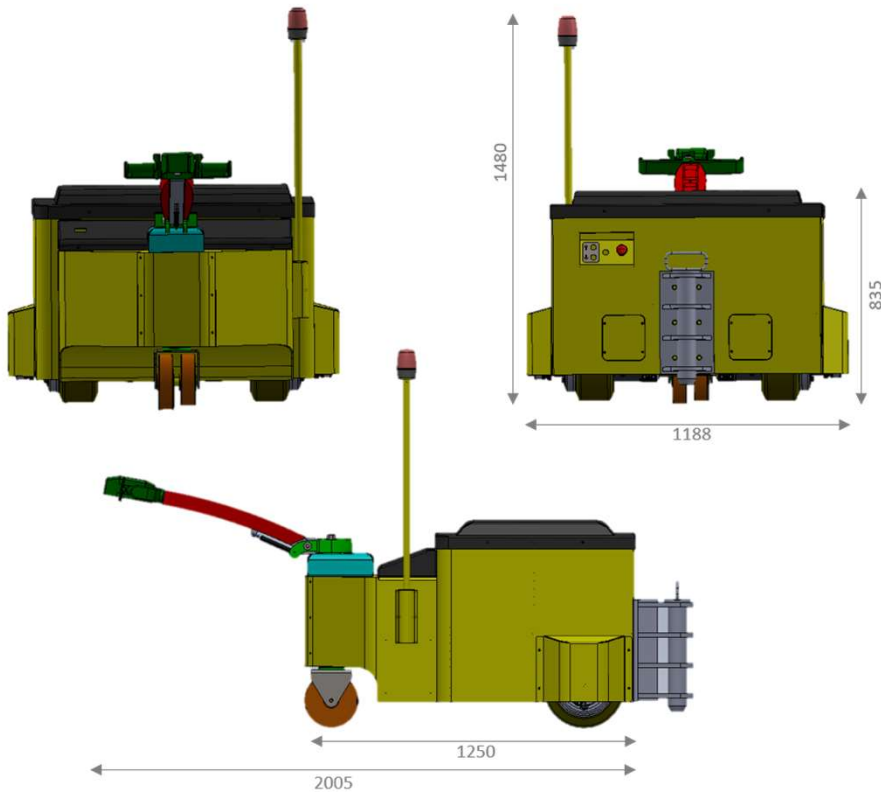


ITEM DESCRIPTION	SPECIFICATION
DIMENSIONS	1250(L) x 1188(W) x 835(H) TOTAL HEIGHT 1480mm
WEIGHT	Dependant on application. Maximum 2000Kg
MATERIAL	Mild Steel
MOTOR DRIVEWHEEL	2x YELLOW Polyurethane Wheels 300 x 138
MOTOR	2x DC motors 2KW 24V
MOTOR CAPACITY PULL	20,000kgs
BATTERY	48V (4 x 12V) Maintenance free Gel batteries
CHARGER	Charger 48 volt 5 amp
WORKING TIME OF BATTERY	4-6 HOURS
COUPLING	Draw bar or ball/pin hitch



MOTOR MOVER  
MATERIAL HANDLING

# MOTORMOVER TOW MAJOR



19 Mandervell Road, Oadby Industrial Estate, Leicester LE2 5LQ  
Tel: 0116 232 8799 Email: [sales@motormover.com](mailto:sales@motormover.com)  
Registered in England No.4389619 Vat Reg No.GB 793 0454 18